

low pressure fan
SLE- series

The space- saving versatile fan

The fan type SLE is a silent low- pressure fan with direct drive, made of aluminum.

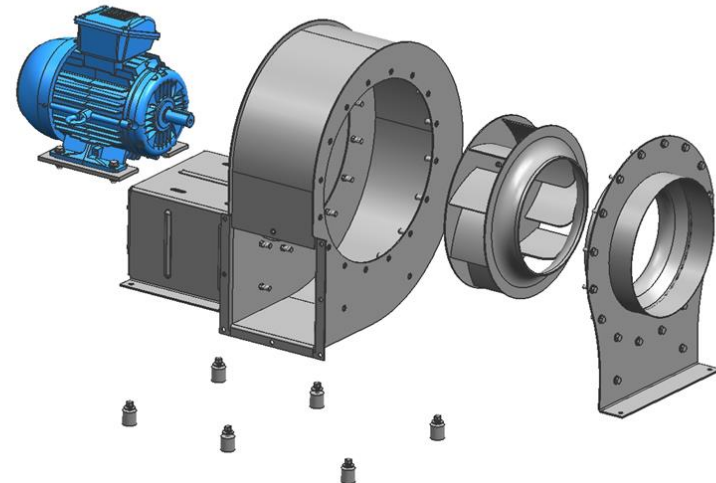
The production series comprises 8 types with a volume of 2000 m³/h - 5000 m³/h and a pressure range of 700 Pa – 2000 Pa.

The modular design offers a wide range of applications:

- ventilation systems in general,
- large- scale catering,
- drying systems
- etc..

Benefits

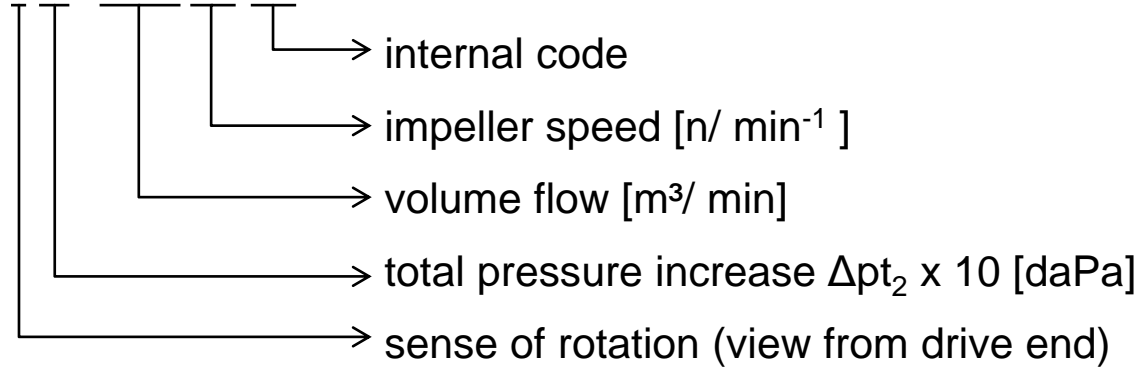
- space- saving application
- modular design
- the position of the housing can be changed by screwing the housing cover to the motor pedestal
- lightweight construction (housing and impeller made of aluminum ENAW-5005)
- use of standard motors (IP55, B3)
- short delivery times possible



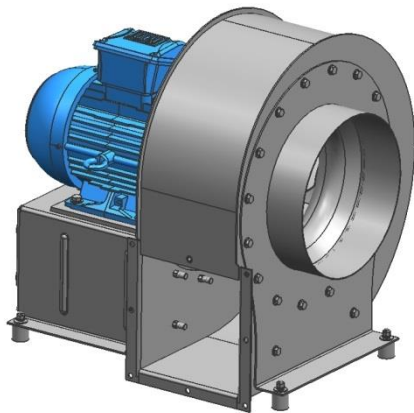
Fan identification

Example:

SLE107-003330-00



1- clockwise rotation / 2- counterclockwise rotation



Fan configuration

type	volume flow	pressure	speed	motor power	authorization	voltage	frequency	current		weight	efficiency		spare parts					motor	
	m³/h	Pa	1/min	kW		V	Hz	IE2	IE3		kg	IE2	IE3	impeller	inlet	housing	connection discharge	connection inlet	IE2
SLE107-003330-00 SLE207-003330-00	2000	700	3000	3	IEC	200	50	11,8	-	42	021	221	981	981	994	995	996	901	941
						230		10,2	-		022	222						902	942
						380		6	-		023	223						903	943
						400		5,9	-		024	224						904	944
						415		5,8	-		025	225						905	945
SLE109-004236-00 SLE209-004236-00	2500	900	3600	3	IEC	200	60	11,3	-	42	031	231	981	981	994	995	996	906	946
						220		10,3	-		032	232						907	947
						230		9,8	-		033	233						908	948
						380		5,9	-		034	234						909	949
						400		5,6	-		035	235						910	950
					415	5,4	-	036	236		911	951							
					440	5,1	-	037	237		912	952							
					460	4,9	-	038	238		913	953							
					CSA/ UL	440	5,1	-	-		239	-						954	
						460	4,9	-	-		240	-						955	
480	4,7	-	-	241		-	956												
SLE109-004230-00 SLE209-004230-00	2500	900	3000	3	IEC	200	50	11,8	-	42	051	251	982	991	994	995	996	901	941
						230		10,2	-		052	252						902	942
						380		6	-		053	253						903	943
						400		5,9	-		054	254						904	944
						415		5,8	-		055	255						905	945
SLE110-005336-00 SLE210-005336-00	3200	1000	3600	3	IEC	200	60	11,3	-	42	061	261	982	991	994	995	996	906	946
						220		10,3	-		062	262						907	947
						230		9,8	-		063	263						908	948
						380		5,9	-		064	264						909	949
						400		5,6	-		065	265						910	950
					415	5,4	-	066	266		911	951							
					440	5,1	-	067	267		912	952							
					460	4,9	-	068	268		913	953							
					CSA/ UL	440	5,1	-	-		269	-						954	
						460	4,9	-	-		270	-						955	
480	4,7	-	-	271		-	956												

Nominal data at 20 °C and a density of 1,2 kg/m³

The data comply with UXM-23110

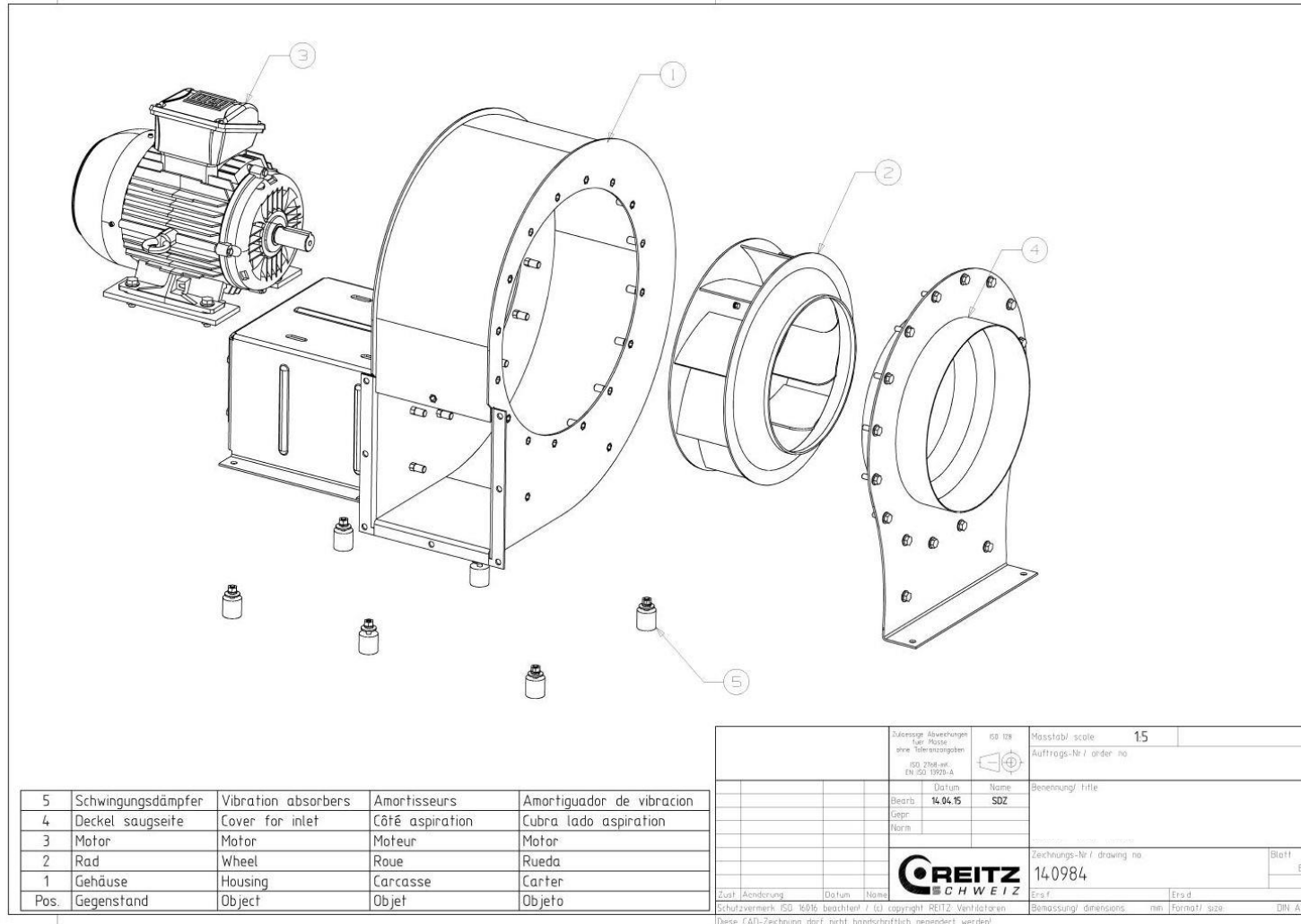
Fan configuration

type	volume flow m³/h	pressure Pa	speed 1/min	motor power kW	authorization	voltage V	frequency Hz	current		weight kg	efficiency		impeller	inlet	housing	spare parts		motor		
								IE2	IE3		IE2	IE3				connection discharge	connection inlet	IE2	IE3	
SLE110-005330-00 SLE210-005330-00	4000	1000	3000				50	11,8	-	42	081	281	983	992	994	995	996	901	941	
								10,2	-		082	282						902	942	
								6	-		083	283						903	943	
								5,9	-		084	284						904	944	
								5,8	-		085	285						905	945	
SLE114-006736-00 SLE214-006736-00	4000	1400	3600	3	IEC		60	11,3	-	42	091	291	983	992	994	995	996	906	946	
								10,3	-		092	292						907	947	
								9,8	-		093	293						908	948	
								5,9	-		094	294						909	949	
								5,6	-		095	295						910	950	
								5,4	-		096	296						911	951	
							CSA/UL	60	440		-	097						297	912	952
									460		-	098						298	913	953
									440		-	-						299	-	954
									460		-	-						300	-	955
									480		-	-						301	-	956
									480		-	-						-	-	-
SLE114-006730-00 SLE214-006730-00	4000	1400	3000				50	11,8	-	42	111	311	984	993	994	995	996	921	961	
								10,2	-		112	312						922	962	
								6	-		113	313						923	963	
								5,9	-		114	314						924	964	
								5,8	-		115	315						925	965	
SLE120-008336-00 SLE220-008336-00	5000	2000	3600	3	IEC		60	11,3	-	42	121	321	984	993	994	995	996	926	966	
								10,3	-		122	322						927	967	
								9,8	-		123	323						928	968	
								5,9	-		124	324						929	969	
								5,6	-		125	325						930	970	
								5,4	-		126	326						931	971	
							CSA/UL	60	440		-	127						327	932	972
									460		-	128						328	933	973
									440		-	-						329	-	974
									460		-	-						330	-	975
									480		-	-						331	-	976
									480		-	-						-	-	-

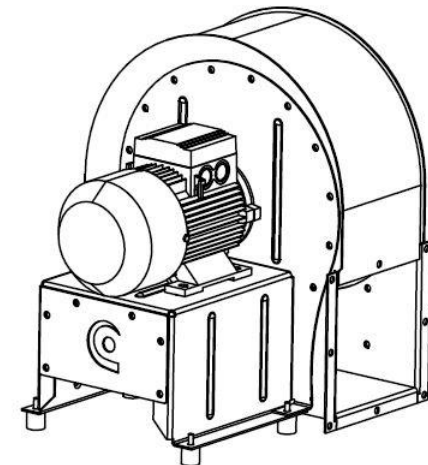
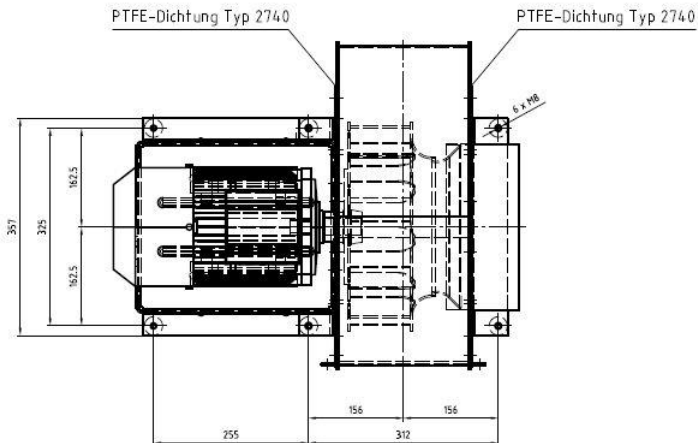
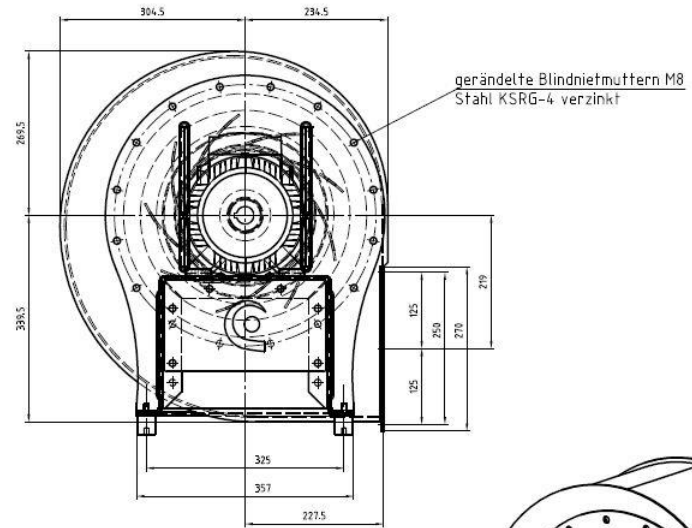
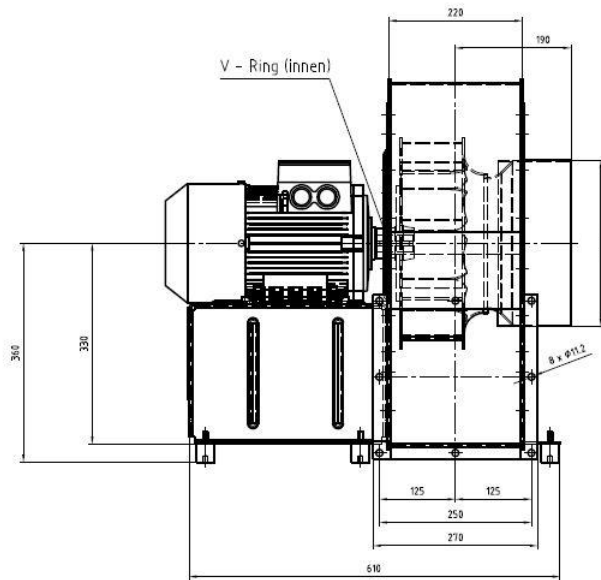
Nominal data at 20 °C and a density of 1,2 kg/m³

The data comply with UXM-23110

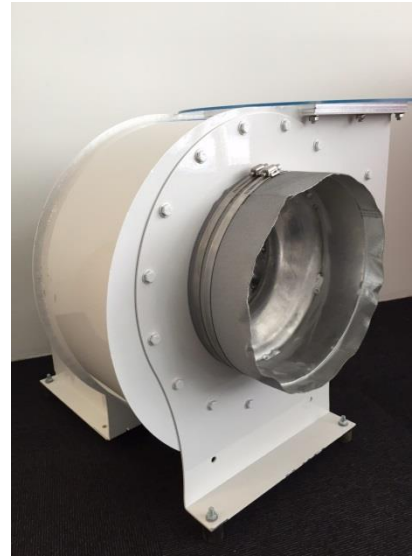
Fan construction

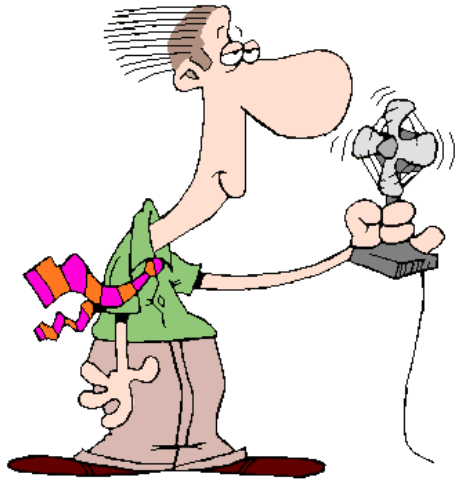


I



SLE Impressions





Thank you for your attention!

